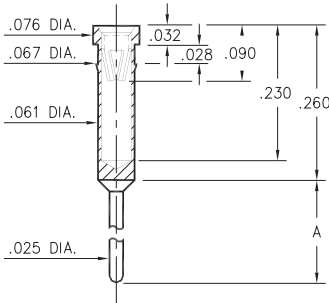


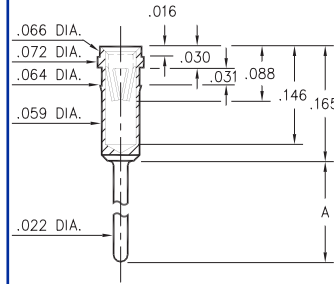
## 0401/6401



Basic Part Number	Length A
0401-0	.340
6401-0	.540

**X401-0-15-XX-47-XX-04-0**  
Press-fit in .064 mounting hole

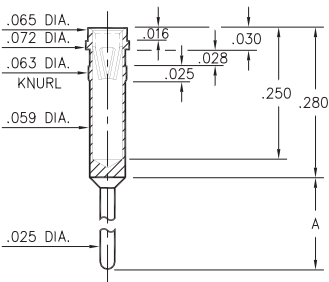
## 1303/8303



Basic Part Number	Length A
1303-0	.125
8303-0	.800

**X303-0-15-XX-47-XX-04-0**  
Press-fit in .061 mounting hole

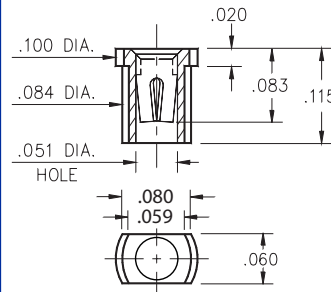
## 4095



Basic Part Number	Length A
4095-0	.635

**409X-0-15-XX-47-XX-04-0**  
Press-fit in .061 mounting hole

## 8806



**8806-0-18-XX-47-XX-40-0**  
Surface mount  
Also available on 12mm wide carrier tape: 4,000 parts per 13" reel.  
Order as: 8806-0-58-XX-47-XX-40-0

### SPECIFICATIONS

**SHELL MATERIAL:**  
Brass Alloy 360, 1/2 Hard

**CONTACT MATERIAL:**  
Beryllium Copper Alloy 172, HT

**DIMENSION IN INCHES**  
**TOLERANCES ON:**  
LENGTHS: ±.005  
DIAMETERS: ±.002  
ANGLES: ± 2°

ORDER CODE: **XXXX - X - 15 - XX - 47 - XX - XX - 0**

BASIC PART #

**SPECIFY SHELL FINISH:**  
01 200µ" TIN/LEAD OVER NICKEL  
80 200µ" TIN OVER NICKEL   
15 10µ" GOLD OVER NICKEL

**SPECIFY CONTACT FINISH:**  
01 200µ" TIN/LEAD OVER NICKEL  
80 200µ" TIN OVER NICKEL   
27 30µ" GOLD OVER NICKEL



CONTACT

#47 CONTACT (DATA ON PAGE 211)